



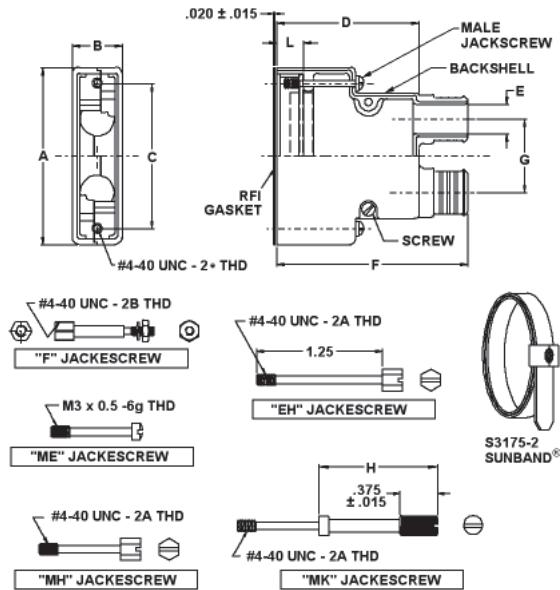
## D-sub and Micro-D backshells for Mil-C-24308 and Mil-C-83513 connectors

The aluminum rectangular solution for lightweight applications

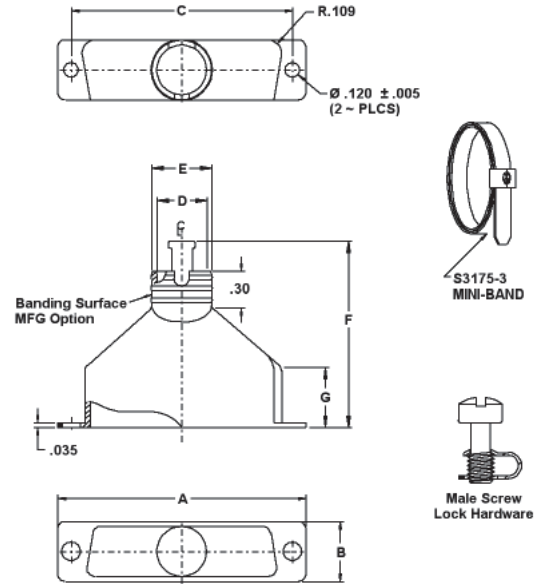
- Multi-configuration** ■ Straight, 45° or 90° angle, split or one-piece body.
- Various entries** ■ Banding platforms, tie wrap arms or cable clamp options, dual or simple entry.
- Additional accessories** ■ Dustcaps, shorting cans and Potting cups also available.
- Conductive and non conductive finishes** ■ Electroless Nickel, Zinc Nickel, Teflon Nicker, Cadmium and Anodize finishes.

Dimensions

J15



J17



J15

Shell size	Millimeters								Inches							
	A	B	C	D	E	F	G	H	A	B	C	D	E	F	G	H
3	57.9	16.6	47.0	47.6	11.1	65.1	23.6	30.2	2"281	0"656	1"852	1"875	0"438	2"565	0"93	1"190
4	74.6	16.6	63.5	47.6	12.7	66.0	25.6	30.2	2"938	0"656	2"500	1"875	0"500	2"600	1"01	1"190
5	72.2	19.8	61.1	50.8	14.2	66.0	25.9	34.0	2"844	0"781	2"406	2"000	0"562	2"600	1"02	1"340

J17

Shell size	Millimeters							Inches						
	A	B	C	D	E	F	G	A	B	C	D	E	F	G
9	30.5	12.7	24.9	6.8	8.8	30.2	11.1	1"203	0"500	0"984	0"270	0"350	1"190	0"440
15	38.8	12.7	33.3	10.0	12.0	32.2	11.1	1"531	0"500	1"312	0"395	0"475	1"270	0"440
25	52.7	12.7	47.0	10.6	12.7	39.3	12.7	2"078	0"500	1"852	0"420	0"500	1"550	0"500
37	69.0	12.7	63.5	10.6	12.7	42.9	12.7	2"718	0"500	2"500	0"420	0"500	1"690	0"500
50	66.6	15.4	61.1	13.4	15.4	42.4	11.1	2"625	0"609	2"406	0"529	0"609	1"670	0"440
104	69.3	17.0	63.5	13.4	15.4	42.9	12.7	2"730	0"670	2"500	0"529	0"609	1"690	0"500



For further information contact us at [sunbank.sales@esterline.com](mailto:sunbank.sales@esterline.com) or visit our web site [www.sunbankcorp.com](http://www.sunbankcorp.com)